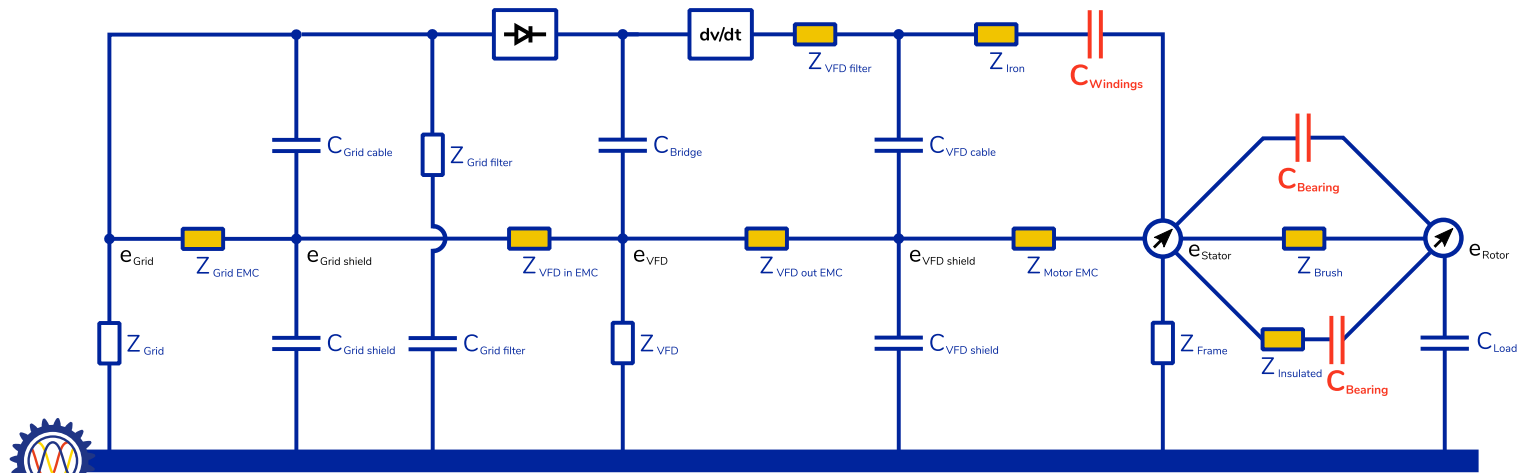


Common mode current path

© 2022 ORBITS V.O.F.



Common mode equivalent current circuit

© 2022 ORBITS V.O.F.